



AURA – Floor / Ceiling Fan Coil Unit

CFF(A)C – CFF(A)U

Product Presentation

New Floor/Ceiling FCU: AURA

AURA is the new Fan Coil Unit for **high comfort** and **elegant design**.

It introduces a **wide range of selection** to satisfy all needs in **tertiary** as well as **home** installation.

Thanks to its **standard supplied controls** and connectivity, the unit it's suitable for single, group or centrally managed solutions



New Floor/Ceiling FCU: AURA

DESIGN

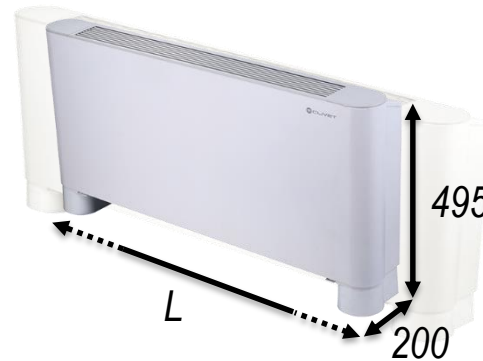
The unit design has been studied by **Italian designer** to fit modern and elegant environments, both tertiary and residential



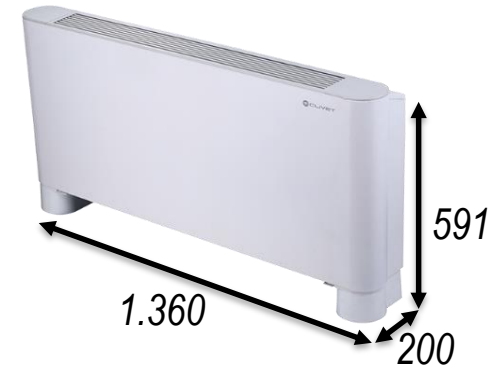
COMPACTNESS

Despite the wide range of available capacities, the unit fit **only 200mm of depth**

- Size 1-2: 790
- Size 3-4: 1.020
- Size 5-8: 1.240
- Size 9-10: 1.360



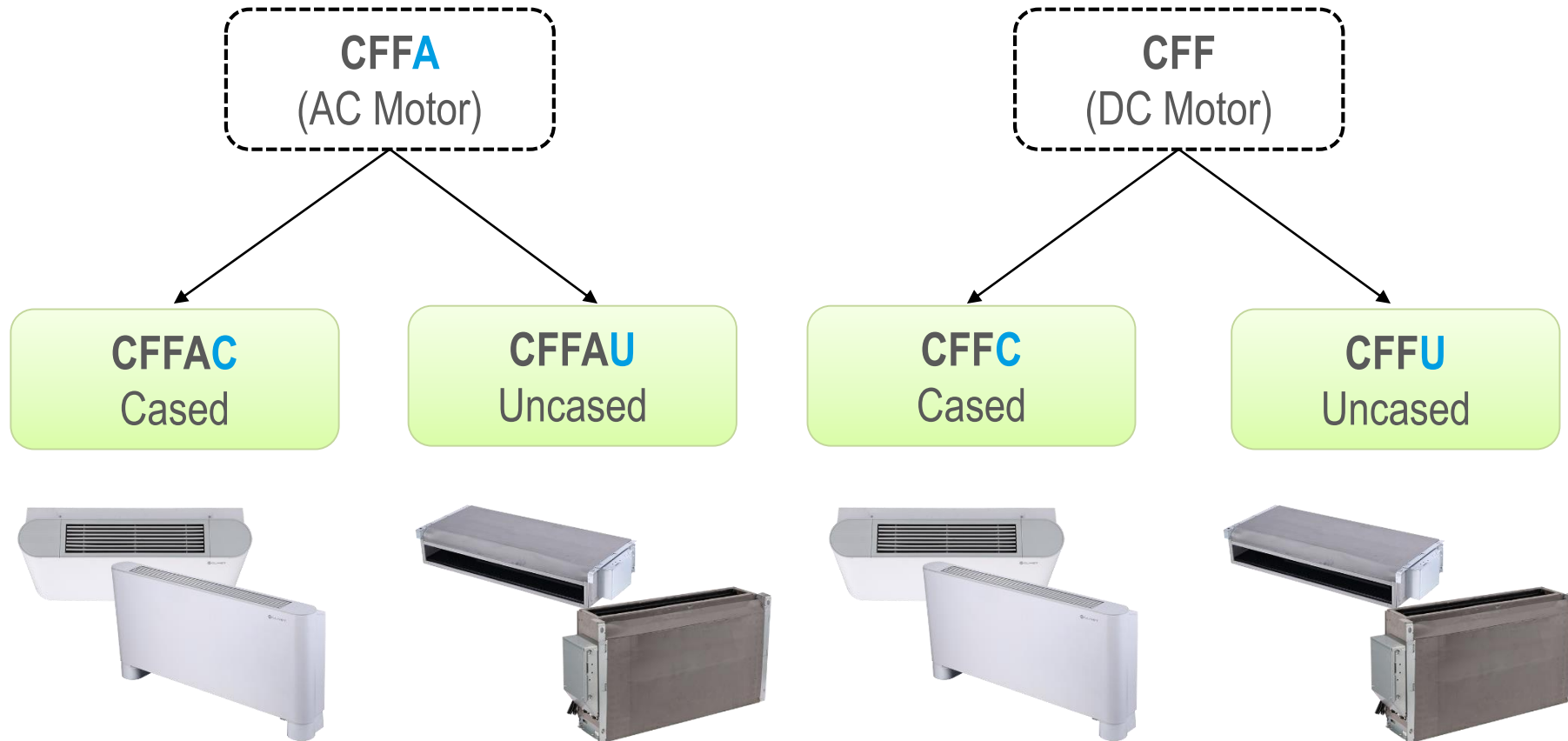
Size 11-12



Product Range

VERSIONS

AURA is available in **4 different versions**:

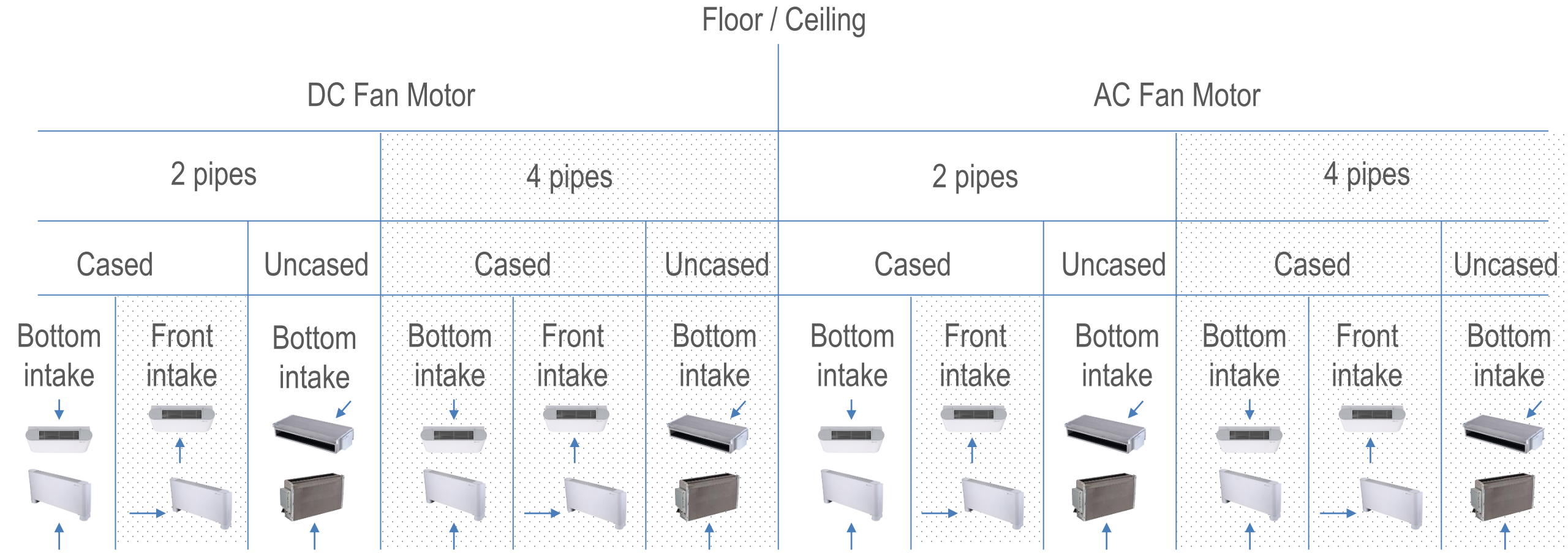


Product Range

CONFIGURATIONS

Note: configurations in dotted areas will be available in the second half of 2020

AURA is available in a **wide variety of configurations:**



Product Range

CAPACITIES

Wide range of capacities:

AC Fan Motor (2 pipes)

High Fan Speed Capacity	Size	1	2	3	4	5	6	7	8	9	10	11	12
Cooling	kW	1,65	2,25	2,65	3,05	3,85	4,2	4,65	5,35	6	6,75	7,35	8,25
Heating	kW	1,85	2,35	3,05	3,15	4,1	4,3	5,2	5,7	6,15	7,15	8,2	8,5

DC Fan Motor (2 pipes)

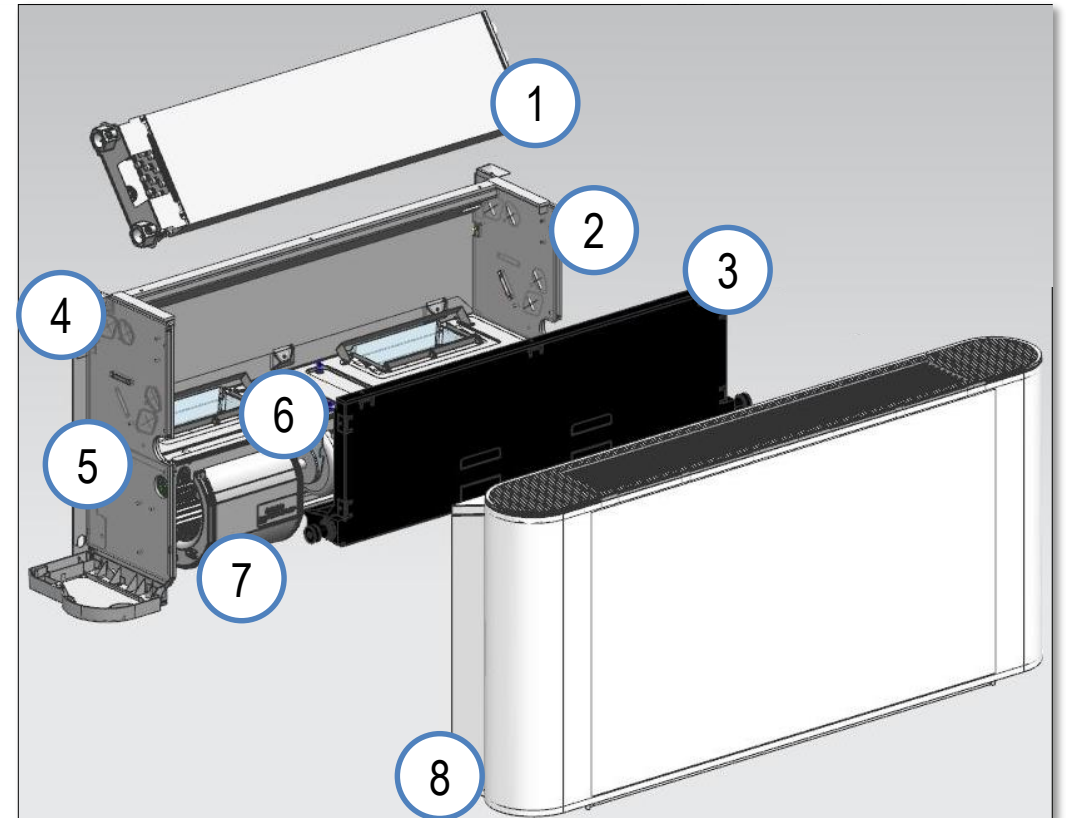
High Fan Speed Capacity	Size	1	2	3	4	5	6	7	8	9	10	11	12
Cooling	kW	1,5	1,95	2,35	2,85	3,5	3,9	4,3	4,85	5,6	6,35	7,35	8,25
Heating	kW	1,57	2,05	2,6	2,95	3,8	4	4,7	5,25	6	7,05	8,05	8,7

Product Specifications

COMPONENTS

Main Components

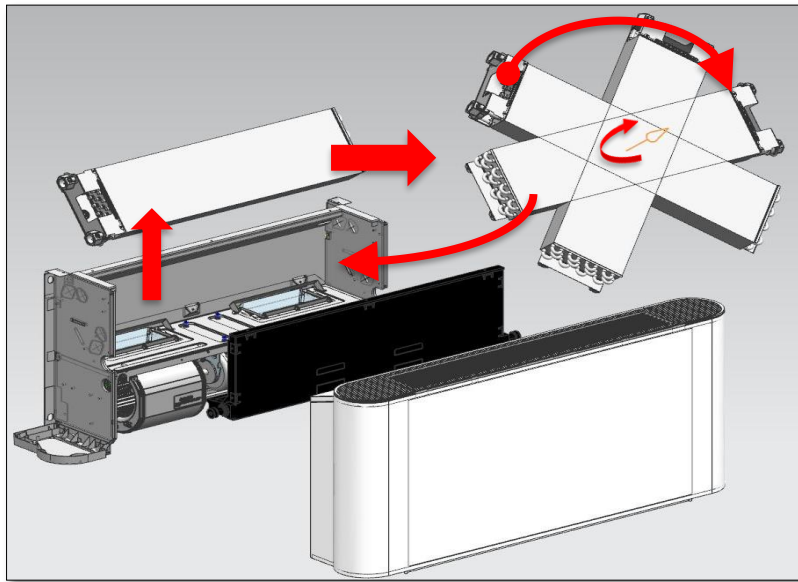
1. Copper/Aluminum heat exchanger, with hydrophilic coating
2. PCB
3. L shaped drain pan
4. 3/4" water connections
5. Drain connection ($\Phi 18,5\text{mm}$)
6. Centrifugal fan
7. Washable filter (G2 class)
8. Galvanized sheet case



Product Specifications

INSTALLATION

The **water connections can be moved** from one side of the unit to the other by simply rotating the heat exchanger.



The **wired user interface** can be placed **onboard** (both sides) or installed remotely **on the wall**.



Product Specifications

WIRED USER INTERFACE

The unit is supplied with **wired User Interface as standard**, both in DC and AC versions.

Touch screen and **backlit display** allow the best user experience in both onboard and wall installation.

Follow-me function, available for DC Version, allows to move the room temperature reading to the sensor present in the remote control.

DC Version



KJR-75

AC Version



KJR-86

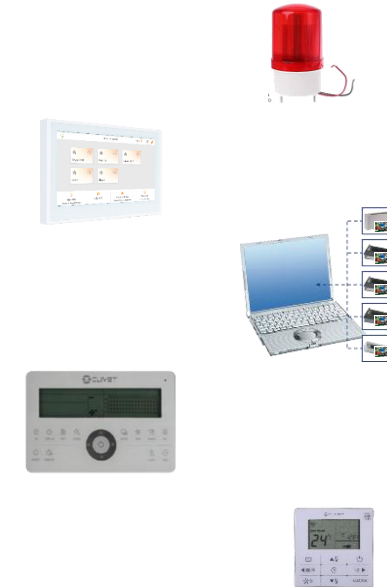
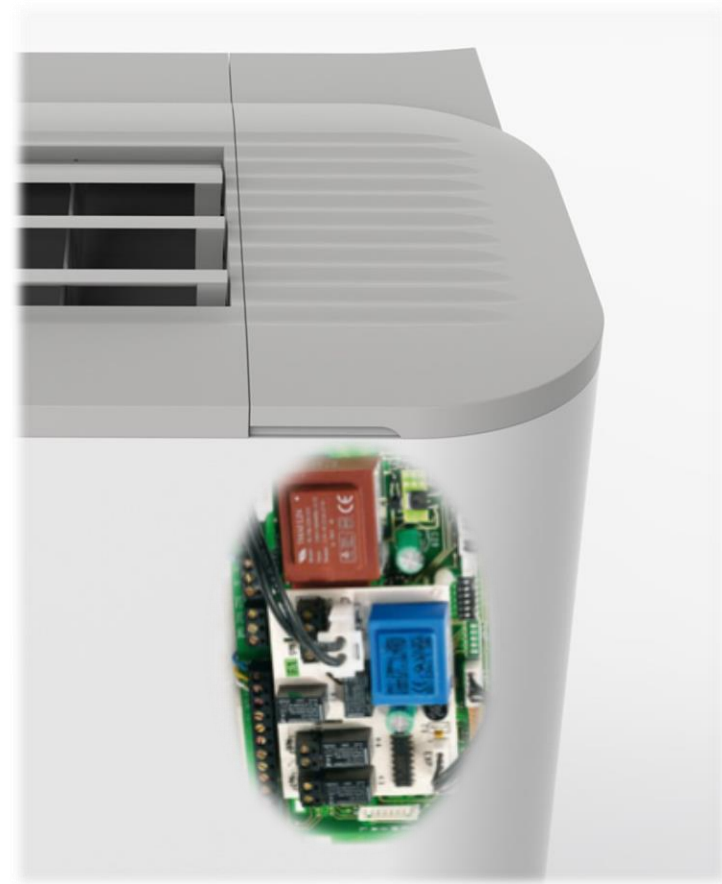
	DC Version	AC Version
Touch key / Backlit	✓	✓
2 pipes / 4 pipes	✓	✓
Basic settings	✓	✓
Nr. Fan speeds	7 + AUTO	3 + AUTO
Follow-Me	✓	-
Timer	-	✓
Modbus Port	-	✓

Product Specifications

CONTROL FUNCTIONS: DC Version

CFFC and **CFFU** (DC Versions) are equipped with **electronic board**, which allows the following operations as standard:

- **0-10V** input for fan speed control
- **On/Off** input with dry contact
- Remote **alarm**
- **ELFOControl³** Compatibility
- **Modbus BMS** compatibility
- **Centralized controls** (XYE Port)
- Compatible with KJR-90 (XYE Port)



Product Specifications

CONTROL FUNCTIONS: AC Version



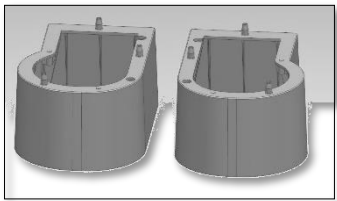
CFFAC and **CFFAU** (AC Versions) are equipped with **contact board**, which allows the following operations as standard:

- **3 speed** fan control
- **ELFOControl³** compatibility through User Interface Modbus port
- **Modbus BMS** compatibility through User Interface Modbus port

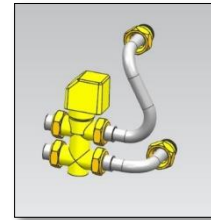


Accessories

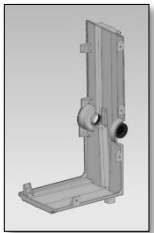
OPTIONAL ACCESSORIES



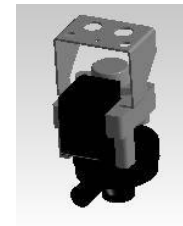
KDTX – Feet for floor installation



3V2X – On/Off 3 way valve kit



BRVHX – Auxiliary drain pan



CDPX – Drain pump

Accessories

OPTIONAL ACCESSORIES: Only for DC Version



KJR-90D – Wired user interface



KJR-150A – Group control



LONGW64 – Lonworks interface



CCM30-B – Centralized control



CCM09 – Centralized controls



CCM08 – Bacnet interface

Main Features

AURA Main Features:

- **Elegant** and **compact** design
- **AC** and **DC** Version
- Wide nr. **configurations**
- Wide range of **sizes** (1,5-8,5kW)
- Installation **flexibility**
- User **Interface as standard** (onboard/wall installation)
- **ELFOControl³** compatible
- **Modbus** port standard



www.clivet.com



A Group Company of
 Midea